



CP 155 / CP 155-LS

Sophistication for quality and insulation

R
REYNAERS
aluminium





INTERIOR & EXTERIOR BECOME ONE

A sliding window opens up a multitude of possibilities. Through a sliding window, the garden is incorporated into the interior of the house. This creates an extra feeling of space and generates more natural light within the home.

CP 155 SLIDE AND CP 155 LIFT & SLIDE

All types of CP 155 sliding window use durable wheels and stainless steel rails, for optimal opening comfort. In case of a lift & slide system, the sliding window will be lifted before sliding to serve smooth operation. In the closed position, the lift & slide window is put down and anchored, which is an extra plus for isolation and theft prevention. Both systems are highly wind- and waterproof.

MONORAIL, DUO RAIL, 3-RAIL OR MULTI-RAIL

A **monorail** combines a moving part with a fixed glazed element, anchored directly into the outer frame profile, creating a minimalistic look. The sliding panel can be positioned on the outside or inside. The fixed part on the outside can be very convenient when large fixed glass panes need to be installed at elevated height or when building construction does not allow inside glazing.

| MONORAIL | CP 155 / CP 155-HI | CP 155-LS / CP 155-LS/HI |
|----------|--------------------|--------------------------|
| | X | X |

A **duo rail** integrates 2 glazed opening vents, which have an identical look resulting in an aesthetic sliding window. Both these vents can be made as sliding element, giving all flexibility to the users.

| DUO RAIL | CP 155 / CP 155-HI | CP 155-LS / CP 155-LS/HI |
|----------|--------------------|--------------------------|
| | X | X |

A **3-rail** integrates an extra rail in the outer frame allowing a third opening vent to be installed. This solution allows the user to open-up 2 sliding windows, creating an opening which is double in size.

| 3-RAIL | CP 155 / CP 155-HI | CP 155-LS / CP 155-LS/HI |
|--------|--------------------|--------------------------|
| | X | X |

Even more flexibility is obtained with the unique principle of a **multi-rail**, available in the lift & slide variant. This multi-rail solution allows an expansion of elements up to eight rails, facilitating creative designs with very large openings.

SPECIAL SOLUTIONS

A **glass corner** is a fixed glazed element without any visible corner profiles. This provides optimal daylight and a better view to the outside, and it also allows for seamless façades on the outside. The fixed glass corner can be applied on all CP 155-LS outside glazed monorails.

| GLASS CORNER | CP 155 / CP 155-HI | CP 155-LS / CP 155-LS/HI |
|--------------|--------------------|--------------------------|
| | | X |

An **open corner** makes it possible to open up the room without any visible corner elements. In combination with low or zero threshold solutions, this takes away all boundaries between inside and outside. The CP 155-Lift & Slide corner solutions allow to open both in- and outward corners, without compromising the systems' known benefits of comfort and insulation.

The open corner is applicable on CP 155-LS 2-rail and outside glazed monorail.

| OPEN CORNER | CP 155 / CP 155-HI | CP 155-LS / CP 155-LS/HI |
|-------------|--------------------|--------------------------|
| | | X |

With a **Pocket solution** up to 8 vents can be slid into the wall when opened, so no visible elements remain and the maximal opening potential can be used. The pocket solution is available for the lift & slide systems in duo rail, 3-rail, or up to 8-rail (multi-rail) compositions.

| POCKET SOLUTION | CP 155 / CP 155-HI | CP 155-LS / CP 155-LS/HI |
|-----------------|--------------------|--------------------------|
| | | X |

A **low or zero threshold** creates a perfect continuity between the indoor and outdoor spaces and improves the accessibility to the building. This accessibility and comfort is further improved by the solutions for automatic opening.

| LOW OR ZERO THRESHOLD | CP 155 / CP 155-HI | CP 155-LS / CP 155-LS/HI |
|-----------------------|--------------------|--------------------------|
| | | X |

The **Slim Chicane** solution has a meeting section of only 50 mm wide, which fits perfectly with today's architectural trends.

| SLIM CHICANE | CP 155 / CP 155-HI | CP 155-LS / CP 155-LS/HI |
|--------------|--------------------|--------------------------|
| | X | X |

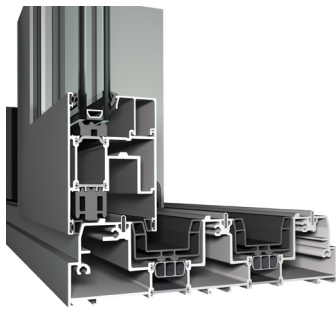
To further enhance accessibility and comfort, CP 155-LS can be **motorised** as an option. This can be applied to certain configurations on mono-, 2- or 3-rail solutions.

| MOTORISED | CP 155 / CP 155-HI | CP 155-LS / CP 155-LS/HI |
|-----------|--------------------|--------------------------|
| | | X |



TECHNICAL CHARACTERISTICS

| Variants | | CP 155 / CP 155-HI | CP 155-LS / CP 155-LS/HI |
|----------------------------------|-------------------------|--|--|
| Visible width / height | Frame | 52 mm | 60 mm |
| | Vent | 102 mm | 102 mm |
| | T-profile | from 76 mm till 154 mm | from 76 mm till 154 mm |
| | Meeting section | 115 mm | 115 mm |
| | Threshold | 60 mm | 20 mm |
| | Meeting section 4 doors | 212 mm | 212 mm |
| Overall system depth | Frame | 155 mm / 242 mm (3-rail) | 155 mm / 242 mm (3-rail) |
| | Vent | 68 mm | 68 mm |
| Maximal Element height | | 3500 mm | 3500 mm |
| Maximal vent weight sliding vent | | 250 Kg | 400 Kg |
| Maximal vent weight fixed vent | | 1500 Kg | 1500 Kg |
| Rebate height | | 25 mm | 25 mm |
| Glass thickness | | up to 52 mm | up to 52 mm |
| Glazing method | | dry glazing with EPDM or neutral silicones | dry glazing with EPDM or neutral silicones |
| Thermal insulation | | 32 mm and 23 mm fibreglass reinforced polyamide strips with 3 chambers | 32 mm and 23 mm fibreglass reinforced polyamide strips with 3 chambers |
| HI variant | | extra insulation gaskets | extra insulation gaskets |



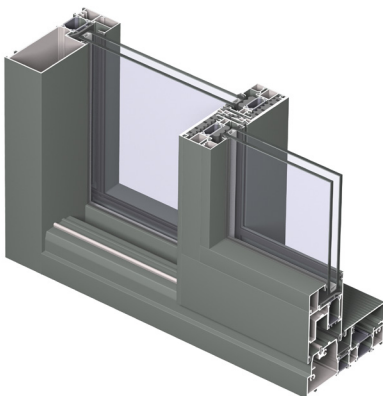
CP 155-LS/HI 3-rail



CP 155-LS/HI low threshold



CP 155-LS zero threshold



SLIM CHICANE

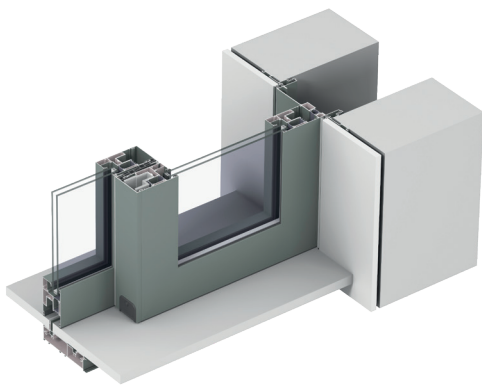
The CP 155(-LS) Slim Chicane introduces a sliding window with a meeting section of only 50 mm visual width, transforming the CP 155(-LS) into a modern design and making it an elegant system, perfectly suited to meet today's trends. The Slim Chicane is applicable to both the slide and lift-slide options in 2-rail and monorail options (inside and outside glazed).



LOW THRESHOLD - ZERO THRESHOLD

Our low and zero threshold solution literally lower the boundaries between inside and outside. A flush threshold gives a very aesthetically pleasing result when the doors are open, as there are no borders to be seen. As an added bonus, this solution significantly improves the accessibility to your building for everyone, especially for people with reduced mobility.

For this solution the bottom profiles are hidden in the floor, and still provide sufficient drainage to prevent water from entering your home.

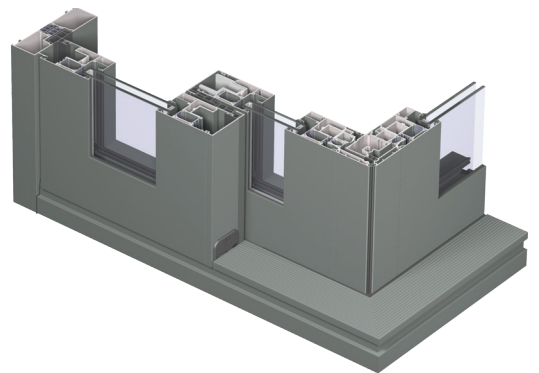


THE POCKET OPTION







The modular pocket solution provides for up to eight vents to be slid into your wall, thereby creating an maximal open space without visible elements when the vents are open. Optimal flush aesthetics in the open position can be realized by applying the same finish on the cover profile and the wall. The pocket solution is available for the lift & slide systems in duo rail, 3-rail, or up to 8-rail (multi-rail) compositions.

CP 155-LS CORNER

A corner solution makes it possible to open up spaces without any fixed corner element. This innovation is an answer to the current architectural need for large glass surfaces with high insulation values. The corner solution creates a perfect opportunity to invite nature into your home, removing the indoor and outdoor boundaries.



PERFORMANCES

| ENERGY | | | | | | | | | | | | |
|---|--|---|----|---------------|----------------|----------------|----|----------------|----------------|----------------|------------------|---------------------|
|  | Thermal Insulation ⁽¹⁾ EN ISO 10077-2 | Uf-value up to 1.07 W/m ² K (*), depending on the frame/vent combination. | | | | | | | | | | |
| COMFORT | | | | | | | | | | | | |
|  | Acoustic performance ⁽²⁾ EN ISO 140-3; EN ISO 717-1 | Rw (C; Ctr) = 35 (-2;-5) dB / 42 (-1;-3) dB, depending on glazing type | | | | | | | | | | |
|  | Air tightness, max. test pressure ⁽³⁾ EN 12207 | 1 (150 Pa) | | 2 (300 Pa) | | 3 (600 Pa) | | | 4 (600 Pa) | | | |
|  | Water tightness ⁽⁴⁾ EN 12208 | 1A | 2A | 3A | 4A | 5A | 6A | 7A | 8A (450 Pa) | 9A (600 Pa) | E900 (900 Pa) | |
|  | Wind load resistance, max. test pressure ⁽⁵⁾ EN 12211; EN 12210 | 1 (400 Pa) | | 2 (800 Pa) | | 3 (1200 Pa) | | 4 (1600 Pa) | | 5 (2000 Pa) | | Exxx (> 2000 Pa) |
| | Wind load resistance to frontal deflection EN 12211; EN 12210 | A (≤ 1/150) | | | B (≤ 1/200) | | | C (≤ 1/300) | | | | |
| SAFETY | | | | | | | | | | | | |
|  | Burglar resistance ⁽⁶⁾ ENV 1627 - ENV 1630 | RC 1 | | | RC 2 | | | | RC 3 | | | |

This table shows classes and values of performances, which can be achieved for specific configurations and opening types.

- (1) The Uf-value measures the heat flow. The lower the Uf-value, the better the thermal insulation of the frame.
- (2) The sound reduction index (Rw) measures the capacity of the sound reduction performance of the frame and glass.
- (3) The air tightness test measures the volume of air that would pass through a closed window at a certain air pressure.
- (4) The water tightness testing involves applying a uniform water spray at increasing air pressure until water penetrates the window.
- (5) The wind load resistance is a measure of the profile's structural strength and is tested by applying increasing levels of air pressure to simulate the wind force.
- (6) The burglar resistance is tested by static and dynamic loads, as well as by simulated attempts to break in using specified tools. This variant requires specific burglar resistance accessories.

(*) Value for HI-variant with Minergie label

Get in touch

