



LET'S BUILD A BETTER FUTURE

Lift and slide door **MB-77HS**

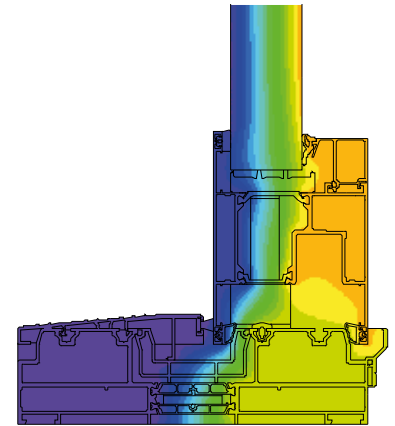
The MB-77HS "Lift & Slide" door product is an ideal solution for connecting interior spaces or conservatories with the outside balcony, terrace or garden areas. Providing both a smooth & silent slide operation, it can bring the benefits of a beautiful day outside, into the living spaces. In addition, the MB-77HS is a great space-saving solution for creating openings that do not encroach on the free space beyond the internal or external boundaries of the frame. Providing excellent weather tightness together with enhanced thermal performance, the MB-77HS complies with all of the requirements associated with this product type. Available in two different options with regard to the level of thermal performance, the MB-77HS is categorised as standard "ST" and highly insulated "HI". The design and configuration of the system profiles enable impressive openings of large dimensions, accommodating double and even triple glass unit compositions, which in conjunction with the constituent parts and innovative technical solutions, help to achieve a high level of thermal and acoustic performance.



brings the outdoors inside

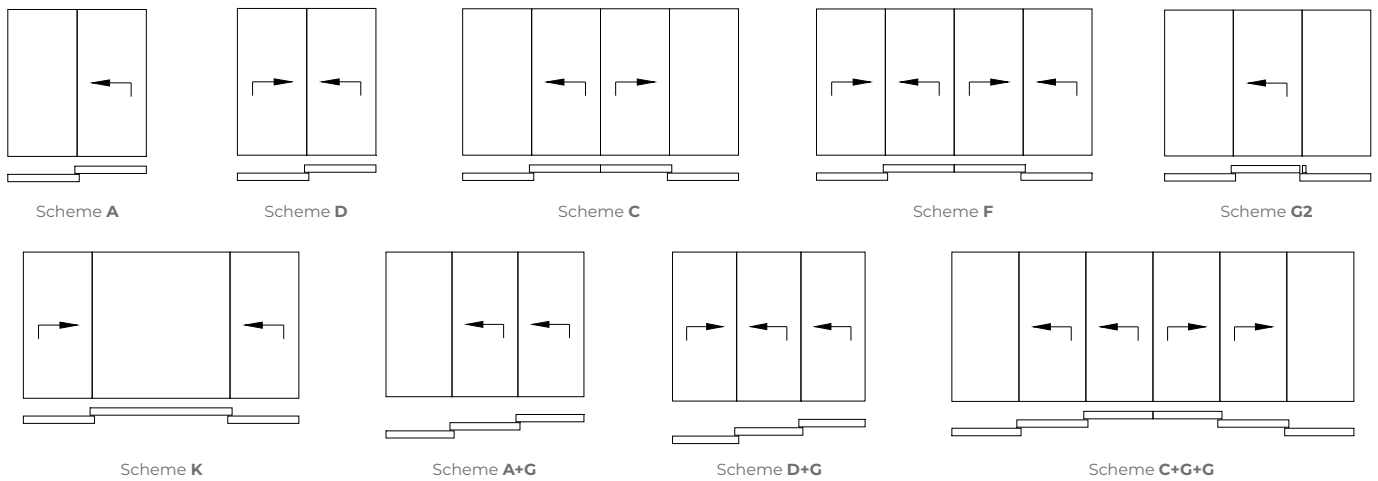
excellent weather performance

LIFT AND SLIDE DOOR / MB-77HS

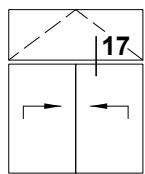


Distribution of isotherms in the MB-77HS HI door

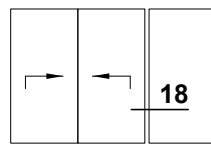
AVAILABLE DOOR CONFIGURATIONS



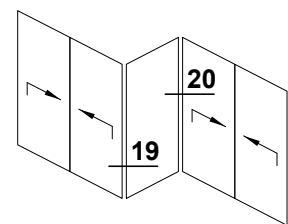
EXAMPLES OF CONFIGURATIONS



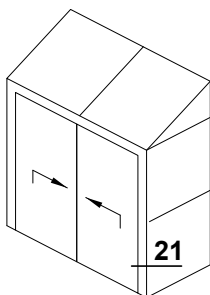
top fanlight option



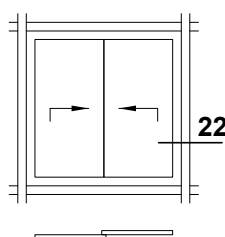
fixed sidelight option



internal/external corner solutions



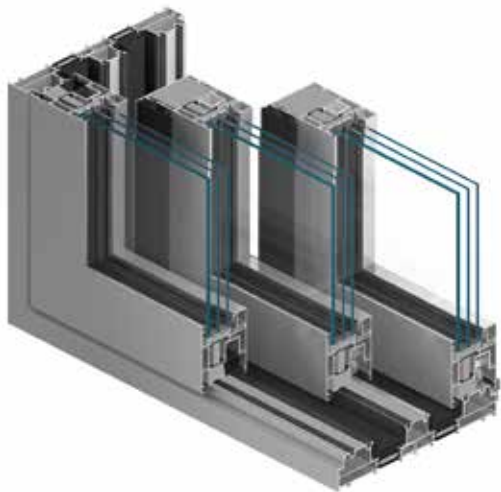
build into MB-WG60 conservatory system



build into a curtain walling system

LIFT AND SLIDE DOOR / MB-77HS

AVAILABLE CONFIGURATIONS



3-rail frame



fixed glazing in the frame



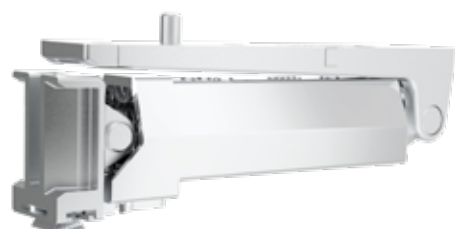
opening corner joint



OPERATION MECHANISMS



HS Master drive



GU Lift Unit mechanism that facilitates lifting of the door leaf



FEATURES AND AESTHETICS

- the slender and durable profile makes it possible to build a low-threshold door weighing up to 600 kg, with a height of up to 3.2 m and a width of up to 3.3 m
- the frames are available in twin-track and triple-track variants
- 90° and 270° corners can be built, creating an exceptionally large space once the door is open
- a slender, 47 mm or 50 mm mullion
- convenient solutions featuring a low threshold or a flat one, laid flush with the patio or balcony
- a wide range of infills, including the use of single- or double-glazed units, as well as thermal breaks, a range of accessories and insulating inserts making it possible to achieve excellent thermal and acoustic parameters
- three styles of glazing beads: Standard, which is rectangular; Prestige, which is rounded; and Style, which is diamond shaped
- the shape of the glazing beads and the break-in prevention details make it possible to obtain increased burglary resistant properties without changing the door's fundamental construction elements of the door
- the special shapes of the stop seals and glazing gaskets, together with the proper hardware, ensure high air- and watertightness
- the profiles are designed to enable the installation of numerous manual and automatic locking devices available on the market
- a profile compensating for the results of slab drift by up to 20 mm and making it possible to adjust the level of the upper frame is available for the door
- the MB-77HS features a high level of compatibility with the ALUPROF MB-86 allowing the door to can be aesthetically combined with windows and some of the same parts can be used to build them
- the wide range of colours means that the door can be used freely for the composition of any interior or exterior décor

TECHNICAL SPECIFICATION	MB-77HS / MB-77HS HI
Frame depth	174 mm (2-rail profile), 271 mm (3-rail profile)
Casement depth	77 mm
Glazing thickness	13.5 – 58.5 mm
MIN. WIDTH OF PROFILES	
Frame	48 mm
Sash	94.5 – 105.5 mm

PERFORMANCE	MB-77HS / MB-77HS HI
Air permeability	class 4, EN 12207
Water tightness	class 9A, EN 12208
Thermal insulation	U_w from 0.84 W/(m ² K)*
Windload resistance	to class C4, EN 12210

* - U_w for MB-77HS HI doors with 3000×2900 mm leaf, and glazing of $U_g=0.5$ W/(m²K) equipped with a Chromatech Ultra spacer

