



Sistema / System

# › COR VISION PLUS



SISTEMAS DE ALUMINIO Y PVC PARA LA ARQUITECTURA  
ARCHITECTURAL ALUMINIUM AND PVC SYSTEMS

Sistema / System  
➤ **COR VISION PLUS**



**CERRAMIENTOS CONTEMPORÁNEOS**  
CONTEMPORARY ENCLOSURES







Muestra ensayada por / Sample tested by  
ALUMINIOS CORTIZO S.A.U.



### Transmitancia / Transmittance

$U_w \geq 0,9$  (W/m<sup>2</sup>K)

Consultar tipología, dimensión y vidrio.  
Consult typology, dimensions and glass.

### Aislamiento acústico / Accoustic insulation

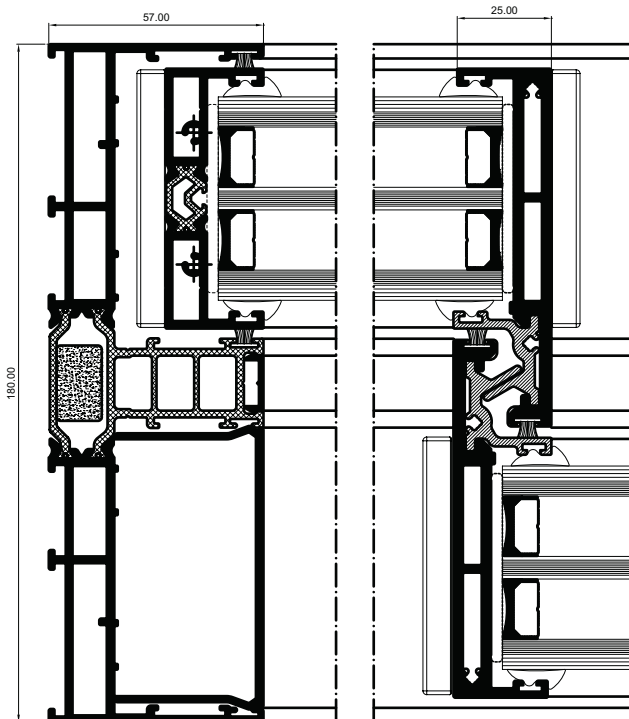
Máximo acristalamiento / Maximum glazing **54 mm**

Máximo aislamiento acústico / Maximum accoustic insulation **Rw = 43 dB**

### Secciones / Sections

|               |                             | Espesor perfilera / Profile thickness |
|---------------|-----------------------------|---------------------------------------|
| Marco / Frame | 180 mm                      | Puerta / Door 2,0 mm                  |
|               | 278 mm tricarril<br>3 rails |                                       |
| Hoja / Sash   | 69 mm                       |                                       |

|   |               |            |
|---|---------------|------------|
| Longitud varilla poliamida / Polyamide strip length | Marco / Frame | 40 mm      |
|   | Hoja / Sash   | 18 - 32 mm |



### Categorías alcanzadas en banco de ensayos / Categories achieved at test centre

Permeabilidad al aire / Air permeability  
**(UNE-EN 12207): Clase / Class 4**

Estanqueidad al agua / Water tightness  
**(UNE-EN 12208): Clase / Class 7A\*/9A\*\***

Resistencia al viento / Wind resistance  
**(UNE-EN 12210): Clase / Class C3\*/C4\*\***

\* Ensayo de referencia balconera 4,00 x 3,00 m, 2 hojas.  
Reference test balcony 4,00 x 3,00 m, 2 sashes.

\*\* Ensayo de referencia balconera 4,00 x 3,00 m, 1 hoja + 1 fijo.  
Reference test balcony 4,00 x 3,00 m, 1 sash + 1 fixed light.

### Acabados / Finishes

Posibilidad bicolor / Possibility of dual colour

Lacado colores (RAL, moteados y rugosos) / Colour powder coating (RAL, mottled & rough)

Lacado antibacteriano / Anti-bacterial powder coating

Anodizado / Anodized

### Posibilidades de apertura / Opening possibilities

Corredera de 1, 2, 3, 4 y 6 hojas.

Posibilidad monocarril, bicarril, tricarril y cuatro carriles.

Posibilidad de apertura en esquina y rincón a 90° sin parteluz.

Posibilidad de galandage 1,2,3 y 4 hojas.

Sliding of 1, 2, 3, 4 & 6 sashes.

Possibility of 1, 2, 3 or 4 rails.

Possibility of interior and exterior corner sash at 90° without mullion.

Galandage possibility in 1, 2, 3 & 4 sashes.

### Dimensiones máximas/hoja / Maximum dimensions/sash

Ancho / Width (L) = 4000 mm

Alto / Height (H) = 4000 mm

Consultar peso y dimensiones máximas según tipología.

Consult maximum weight and dimensions in accordance to typology.

**Peso máximo/hoja** 400 Kg Manual / Manual

**Maximum weight/sash** 700 Kg Motorizada / Motorized



## Cor-Vision Plus Sliding System with thermal break

Minimalistic sliding system specially suitable for large dimensions, which allows to have the maximum luminosity with the minimum visible section of aluminium, and makes possible to cover great openings with a glass surface of 94%.

Its extraordinary glazing capacity allows to place glasses of up to 54 mm thickness which guarantees the best acoustic and thermal performance in a system with these characteristics.

It is available in configurations of fixed and sash, 2 and 4 sashes, and the maximum dimensions are 4.000 mm/sash width / height.

It has a visible section of just 25 mm and the possibility to inlay totally the bottom, lateral and top frames.

It counts with the possibility of motorized opening for weights up to 700 kg, and manual opening for up to 400 kg. Additionally, it allows to place multipoint lock systems by operating rod, with or without key.

The rollers are placed in the frame, and the sashes count with a stainless steel reinforced channel which makes the sliding movement smoother.

That is a system with a traditional procedure of assembling with a perimeter frame, 45 degree cut; and straight cut in the sashes, which allows to disassemble the sash in case of break of the glass, imperfection in the aluminium profile,...



# Cor-Vision Plus Sliding System with thermal break

## Transmittance

Uw from 0,9 (W/m²K)

Please consult typology, dimensions and glass

## Acoustic insulation

Maximum glazing: 54 mm.

Maximum acoustic insulation **Rw=43 dBA**

## Finishes

Possibility of dual colour

Colour powder coating (RAL, mottled and rough)

Wood effect powder coating

Anti-bacterial powder coating

Anodized



## Sections

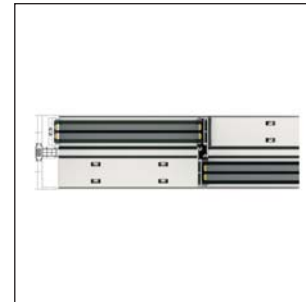
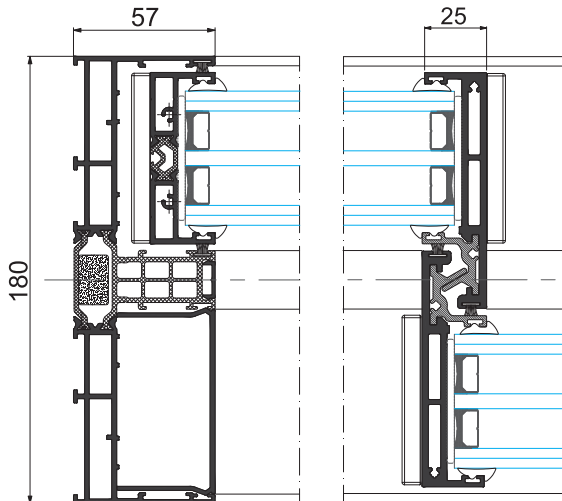
Frame 180 mm.

Sash 69 mm.

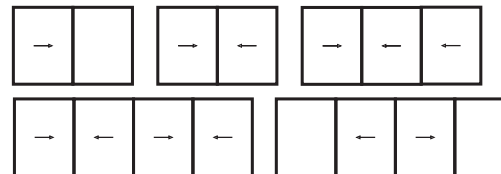
## Profile thickness

Door 2,0 mm.

Polyamide strip length from 18 mm. to 40 mm.



## Opening possibilities



Sliding of 2, 3 & 4 sashes.  
Possibility of 1 rail (1 sash+1 fixed light).

## Maximum dimensions/sash

Width (L) = 4.000 mm.  
Height (H) = 4.000 mm.  
Glass surface ≤ 14 m²

Please consult regarding maximum weight and dimensions for other opening types

## Maximum weight/sash

400 Kg Manual  
700 Kg Motorized



## COR VISION PLUS SYSTEM

CORTIZO has designed more than 50 exclusive systems of windows, façades, composite panel, solar protection systems and balustrade. This commitment to innovation allows us to offer high value added products, maximizing energy efficiency, thermal and acoustic insulation and resistance to atmospheric agents.

INNOVATION

TECHNOLOGY

QUALITY

EFFICIENCY

GUARANTEE

SUSTAINABILITY

AESTHETIC

FUNCTIONALITY

DESIGN

COMFORT

R+D+I



# COR VISION PLUS SYSTEM



Minimalism sliding system with Thermal break especially suitable for large dimensions that allows maximum luminosity with minimum aluminium frame.

It presents central joint sight sections of 25mm and the possibility of bottom frames, top frames and lateral frames completely embedded.

Its extraordinary glazing capacity allows to lodge glazing up to 54mm that assures the best acoustic and thermal features of a system of this characteristics.

Incorporates motorized opening possibility.

**HIDDEN RAIL.** Possibility to embed the bottom profile and integrating it with the finish floor (wooden platform, flooring, ceramic...), obtaining a transition between the outside and the inside with any kind of obstacle.

- Total noise protection: up to 43 dB noise reduction.
- Excellent energy efficiency: window transmittance from 0,9 (W/m<sup>2</sup>K)\*.
- Maximum tightness: 9A class, which means during 55 minutes, total affluent of 330 liters and wind velocity of 114 km/h, there 's no water intake.

#### CATEGORIES ACHIEVED AT TEST CENTRE\*

|                  |               |
|------------------|---------------|
| Air permeability | CLASS 4 (max) |
| Water tightness  | CLASS 7A / 9A |
| Wind resistance  | CLASS C3 / C4 |

#### OPENING POSSIBILITIES

Sliding 1, 2, 3, 4 & 6 sashes. 1, 2, 3 or 4 rails possibility, (1 sash + 1 fix)(2 sashes + 1 fix). Possibility of corner to 90° without mullion.

\*CONSULT TYPOLOGY, DIMENSION AND GLASS.



## RESISTANCE TO ATMOSPHERIC AGENTS [CORTIZO COMFORT]

All of CORTIZO's enclosing systems are tested in the Test Laboratory at the Technological Center to guarantee the best performance in watertightness, air permeability and wind loads, endorsed by the maximum results in its test qualifications.

## THERMAL INSULATION [CORTIZO ENERGY EFFICIENCY]

Nowadays energy efficiency in buildings is a demand made, both by the architects, as by the final customer aware of the importance of saving on heating costs and air conditioner. CORTIZO meets such challenge with systems for every climatic area with a high insulation coefficient to ensure the comfort in the residence.

## ACOUSTIC INSULATION [CORTIZO SILENCE]

In order to transform the residence into a private space, intimate and free of pollution outdoor acoustics, CORTIZO has designed its enclosing systems with all the latest technological developments necessary to ensure indoors peace and relax.

## UNLIMITED COLOUR RANGE [CORTIZO COLOURS]

The whole RAL colour chart in powder coating, exclusive powder coating, metallic, textured, wood effect, more than 100 finishes in anodized. Aluminum on the outside and wood in the inside, two-coloured finishes... An unlimited offer to create a colour harmony at home. Quality labels in every process: QUALICOAT, SEA-SIDE, QUALIDECO and QUALANOD.

## AVANT-GARDE AESTHETICS [CORTIZO DESIGN]

We create tailor-made windows and façades for every project. Creativity to answer aesthetically and functionally to each demand. Aesthetic answers to the technical needs. Creativity at the service of habitable environments.

## ENCLOSURES FOR LIFE [CORTIZO DURABILITY]

Aluminum is the most durable, long-standing and resistant material of those used in enclosures. Aluminum has the strength and a durability of the things that last a whole lifetime.

## SUSTAINABLE SPIRIT [CORTIZO SUSTAINABILITY]

Respect for the environment is CORTIZO'S commitment. Using innocuous raw materials and products in all our manufacturing process and the limitless possibility of aluminum recycling, allows us to remove any creation of waste and environmental risks.